

Best.-Nr. 707600 L1 707643



# Single key - 1 pole

TYPES  
ST 1033 D  
ST 1034 D

For electronic switching control in entertainment and household electronic equipment, telecommunication engineering, industrial electronic apparatuses, etc.

### FEATURES:

- Short travel
- Momentary switch with "click-effect"
- Self-cleaning contact
- Suitable for keyboards arrangement

### MECHANICAL DATA

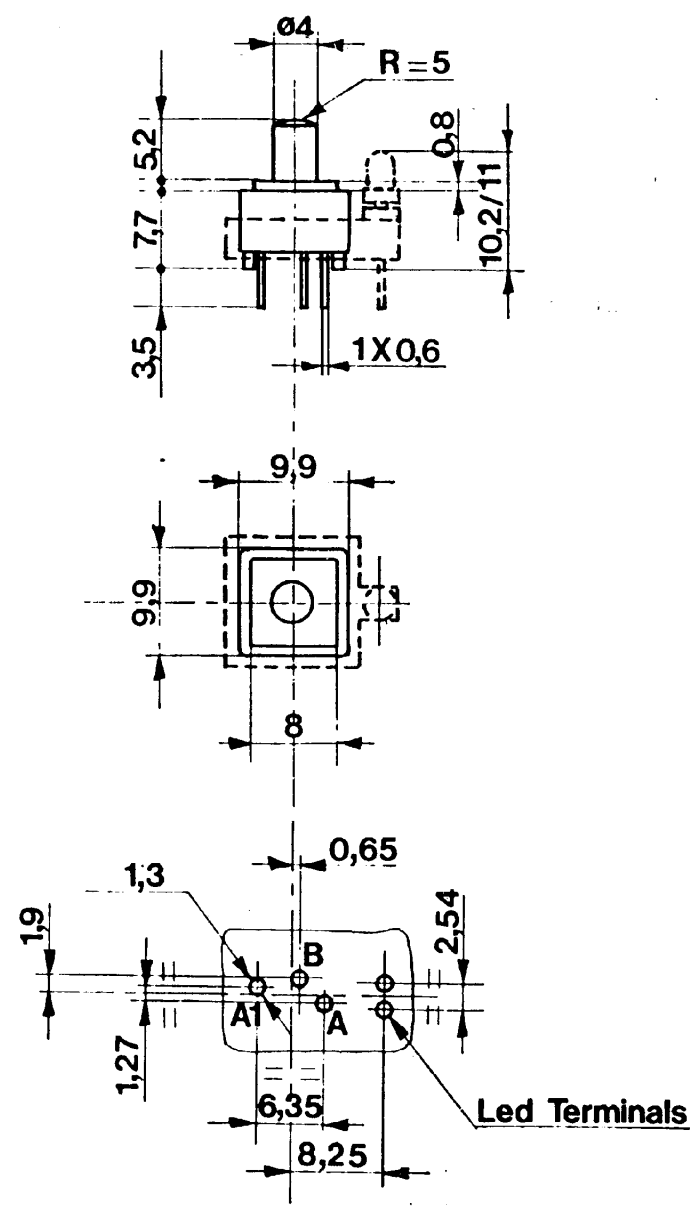
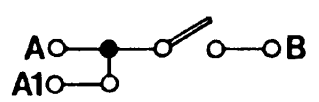
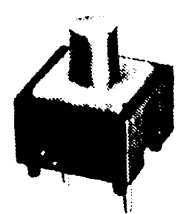
Permissible force at end stop: 50 N (1 min. max)  
 Contact bouncing:  $\leq 0.5$  ms  
 Life:  $\geq 1.000.000$  cycles  
 Weight:  $\sim 1.10$  g

### ELECTRICAL DATA

Breaking capacity: 20 mA - 30 VDC  
 Contact resistance:  $\leq 25$  m $\Omega$   
 Insulation resistance:  $\geq 1$  G $\Omega$   
 Rated temperature range:  $-20^{\circ}\text{C}$  to  $+70^{\circ}\text{C}$

Type	Travel mm	Operating force N
ST 1033D	$0,4 \pm 0,1$	$0,8 \div 2,5$
ST 1034D	$0,6 \pm 0,1$	$1,2 \div 3,5$

Standard: ST 1033D



viewed on component side

Button colour  
 Standard: black  
 Optional: light grey, red, yellow, blue, green  
 Case colour: black

LED socket can be fitted; see at p. 212.