

A P P R O V E D D A T A

 TS-064 (0.05A 12VDC)
 =====

ISSUED DATE : FEB. 16, 1993
 NO. : TS064S1

The undersigned guarantees that TACT SWITCH TS-064 (0.05A 12VDC) meets the following specifications.

1. Mechanical Specification :
 - Service life : 100,000 operations / min.
 - Operating Force (OF) : 120 +- 50 g.
 - Releasing Force (RF) : Min. 20 g.
 - Travel : 0.25 +- 0.1 mm.
 - Free Position (FP) (L) : 9.5 +- 0.4 mm.
 - Feeling : Tactile.
 - Contact Style : Mechanical contact.
 - Control strength : 1 kg static force.

2. Electrical Specification :
 - Rating : 50mA 12 VDC .
 - Contact Resistance : Max. 100 m ohms.
 - Insulation Resistance : Min. 100 M ohms. (at 250 VDC)
 - Service life : Min. 100,000 oprtations.

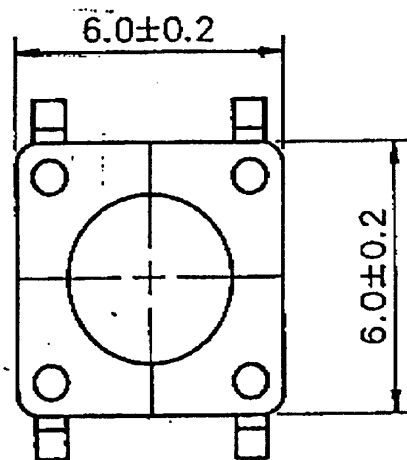
3. Durability Specification :
 - Test condition : at a rate of 15-20 cycles for 1 minute with a resistive load of DC 12V 50mA.
 - Ambient Temperature : -15 °C to +70 °C .
 - Ambient Humidity : Max. 85% RH.
 - Operating Force : Within +10% to -40% of initial value.
 - Solder Dip Time : Within 4 sec. at 250 +- 5 °C .

ZIPPY SHIN JIUH CORP.

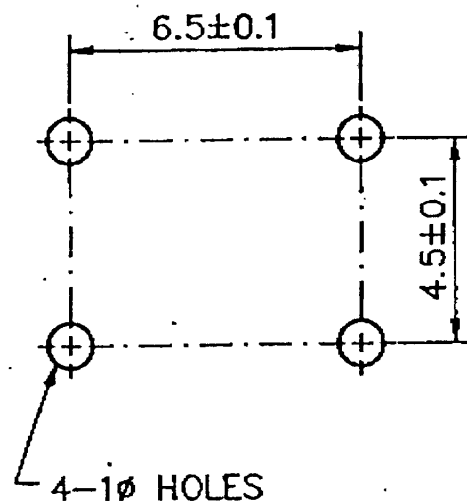
 AUTHORIZED SIGNATURE

 FORM MAKER

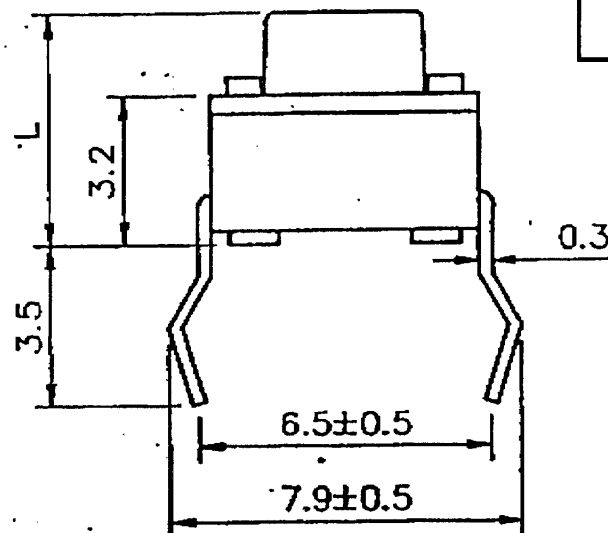
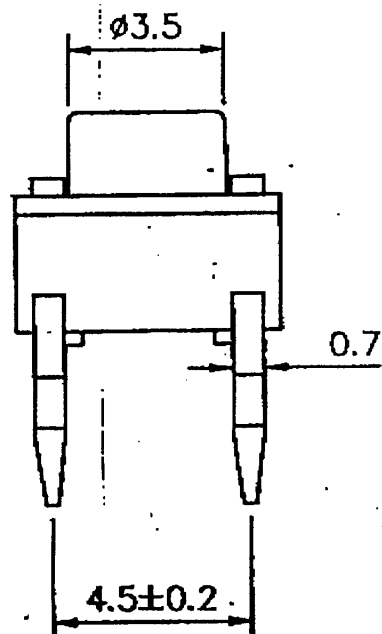
TS-064



MOUNTING HOLES



MODEL NO.	L (MM)
TS-061	4.4
TS-062	5.1
TS-063	7.3
TS-064	9.5
TS-065	12.0
TS-06A	5.0
TS-06D	13.0
TS-06E	7.0



Tolerance ± 0.4

新巨企業股份有限公司

ZIPPY SHIN JIUH CORP.

確認

Susan

檢查

Wesley